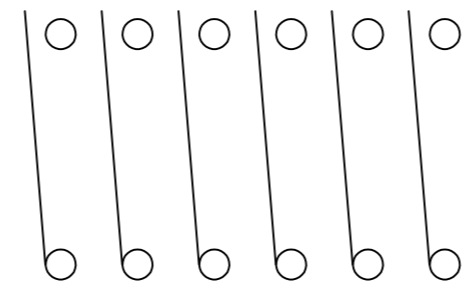
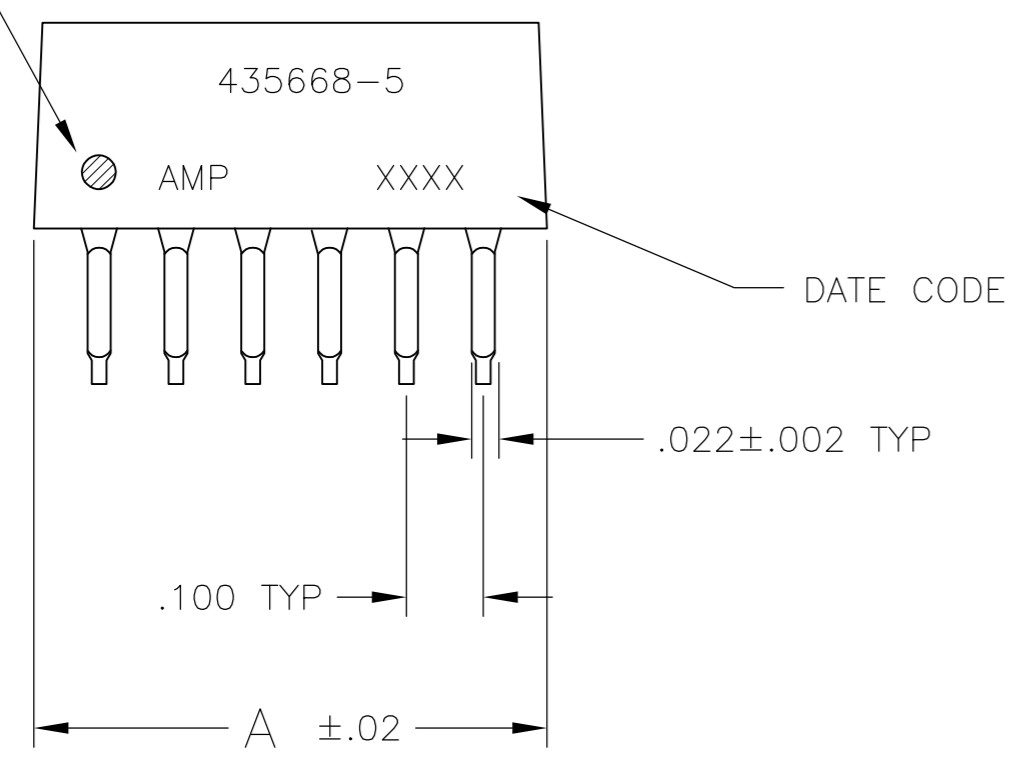
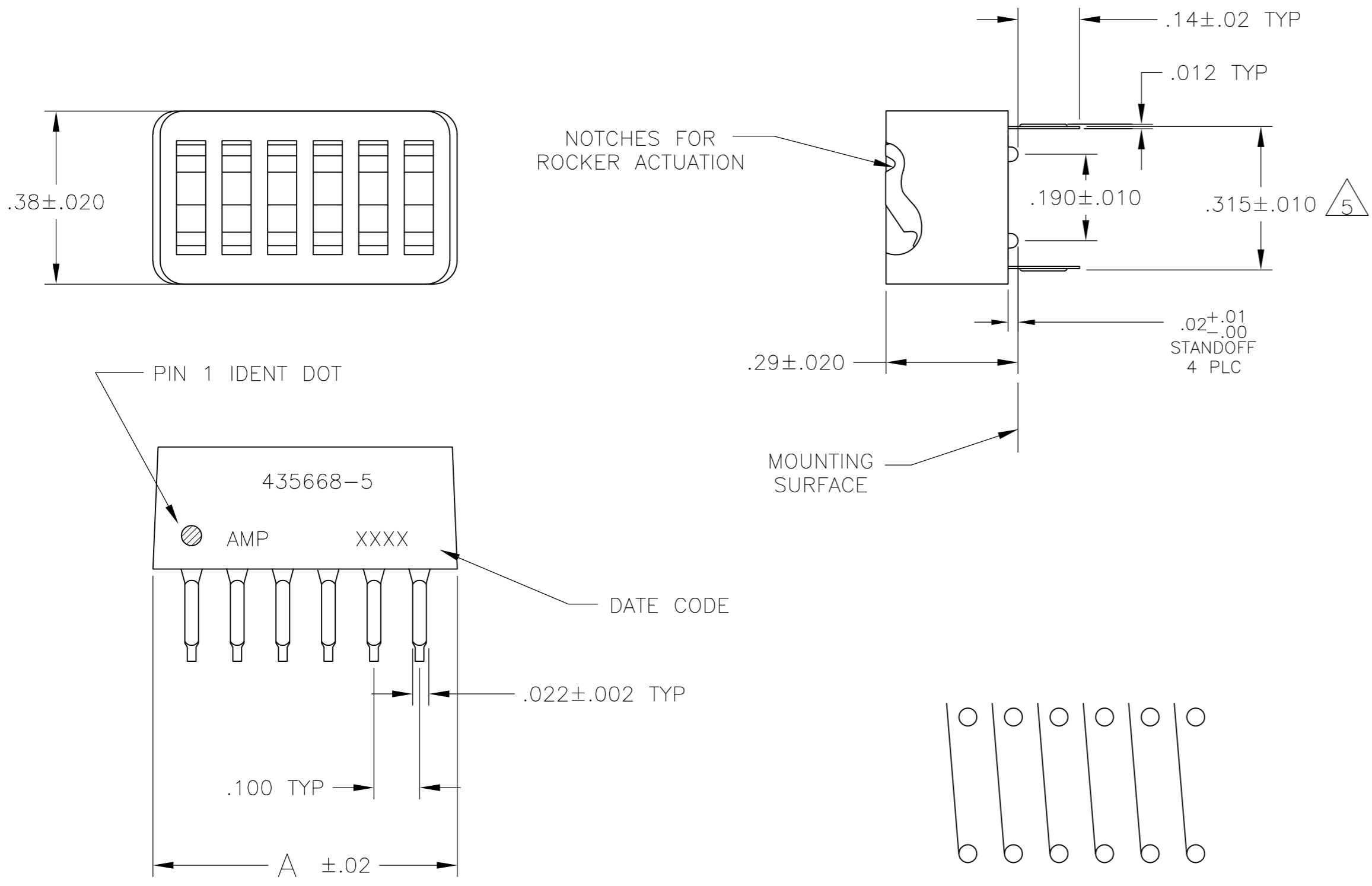


THIS DRAWING IS UNPUBLISHED. RELEASED FOR PUBLICATION
 © COPYRIGHT - By - ALL RIGHTS RESERVED.

LOC		DIST		REVISIONS			
P	LTR	DESCRIPTION		DATE	DWN	APVD	
AD	00	A2	REVISED PER ECO-11-004917		11MAR11	RK	HMR



CONTACT ARRANGEMENT

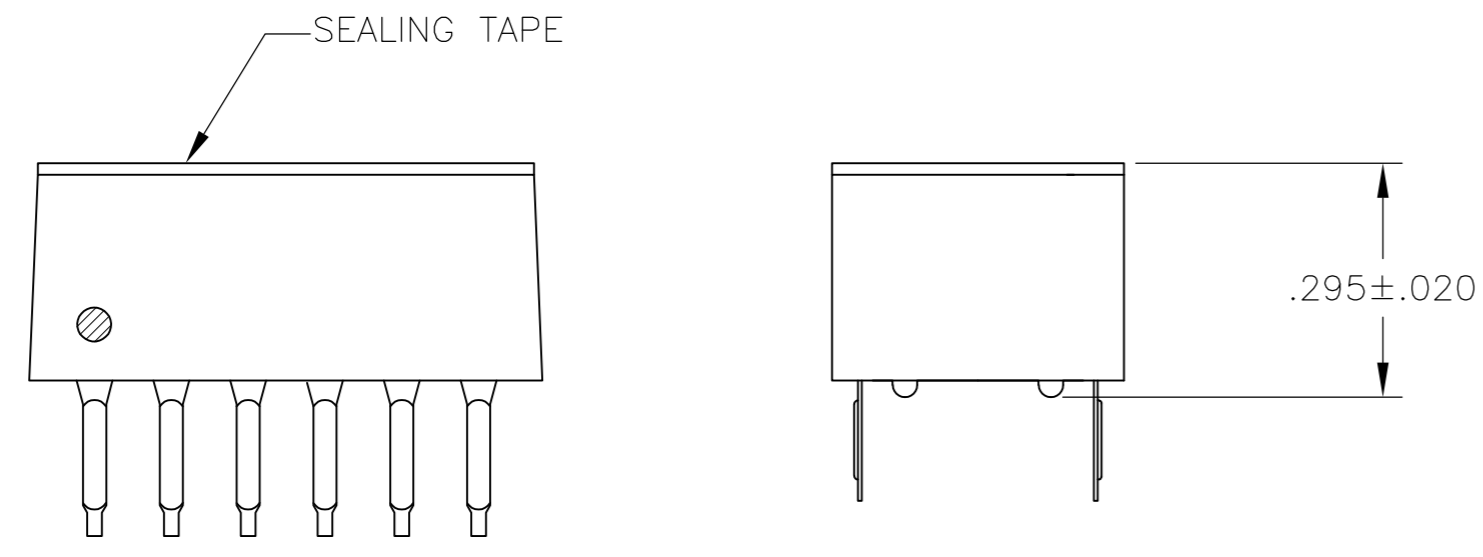


FIG 1

- FOR ADDITIONAL SPECIFICATIONS SEE AMP PRODUCT SPEC 108-7532.
- SWITCH SHOWN IN OPEN POSITION.
- ALL CHARACTERS AND ROCKERS ARE WHITE, HOUSING IS BLUE.
- STAMPING WILL VARY ON 2 AND 3 POSITION SIDES DUE TO SPACE RESTRICTIONS.
- $\triangle 5$.315 DIMENSION APPLIES AT TERMINAL TIPS. TERMINALS ARE .300 +.010 AT MOUNTING SURFACE. -.000
- ALL MATERIALS AND FINISHES SHALL COMPLY WITH EU DIRECTIVE 2002 /95/EC OF 27JAN2003 (ROHS).
- $\triangle 7$ MATERIAL: HOUSING AND ROCKERS - POLYESTER CONTACT & SOLDER LEAD - COPPER ALLOY
- $\triangle 8$ FINISH: CONTACT - GOLD OVER NICKEL SOLDER LEAD - TIN OVER NICKEL
- $\triangle 9$ OBSOLETE PARTS: OBSOLETE CIS STREAMLINING PER D.RENAUD/D.SINISI

FIG	DESCRIPTION	NO OF POSN	SEALING TAPE	MARKING	PART NO
$\triangle 9$ OBSOLETE	FIG 7	5	A		8-5435668-7
		5			3-5435668-5
		4			3-5435668-4
		3			3-5435668-3
$\triangle 9$ OBSOLETE	FIG 1	12			3-5435668-2
$\triangle 9$ OBSOLETE		11			3-5435668-1
		10			3-5435668-0
$\triangle 9$ OBSOLETE		9			2-5435668-9
		8			2-5435668-8
		7			2-5435668-7
		2			2-5435668-6
		6			2-5435668-5
		10			5435668-9
		8			5435668-7
	6			5435668-5	
	5			5435668-4	
	4			5435668-3	
$\triangle 9$ OBSOLETE		2			5435668-1

THIS DRAWING IS A CONTROLLED DOCUMENT.		DWN BSV	OBJAN05		
DIMENSIONS: INCHES		CHK -	APVD -		
TOLERANCES UNLESS OTHERWISE SPECIFIED:		PRODUCT SPEC -	APPLICATION SPEC -	SWITCH ASSY, DIP, TYPE C, 7100 SERIES, SPST, LOW PROFILE	
0 PLC ± - 1 PLC ± - 2 PLC ± - 3 PLC ± .005 4 PLC ± - ANGLES ± -		WEIGHT -	SIZE A2	CAGE CODE 00779	DRAWING NO C=5435668
MATERIAL $\triangle 7$	FINISH $\triangle 8$	CUSTOMER DRAWING		RESTRICTED TO -	
SCALE 4:1				SHEET 1 of 2	REV A2

THIS DRAWING IS UNPUBLISHED. RELEASED FOR PUBLICATION
 © COPYRIGHT - By - ALL RIGHTS RESERVED.

LOC	DIST	REVISIONS					
		P	LTR	DESCRIPTION	DATE	DWN	APVD
AD	00	-	-	SEE SHEET 1	-	-	-

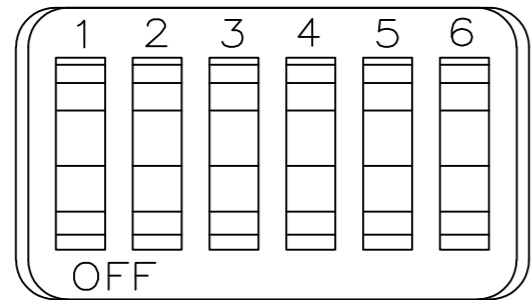


FIG 2

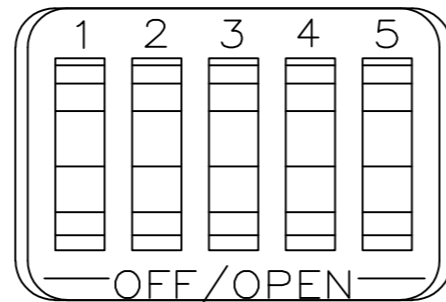


FIG 7

THIS DRAWING IS A CONTROLLED DOCUMENT.		DWN	08JAN05			TE Connectivity	
DIMENSIONS: INCHES		BSV	-			SWITCH ASSY, DIP, TYPE C, 7100 SERIES, SPST, LOW PROFILE	
TOLERANCES UNLESS OTHERWISE SPECIFIED:		CHK	-		NAME		
		APVD	-		PRODUCT SPEC	-	
		0 PLC ± -		APPLICATION SPEC		-	
		1 PLC ± -		WEIGHT		-	
		2 PLC ± -		SCALE		4:1	
3 PLC ± .005		SIZE		A2		CAGE CODE	
4 PLC ± -		DRAWING NO		00779		DRAWING NO	
ANGLES ± -		RESTRICTED TO		C=5435668		-	
FINISH		MATERIAL		CUSTOMER DRAWING		SHEET	
-		-		-		2 of 2	
						REV	
						A2	